

1595 NW Gilman Blvd., Suite 1
Issaquah, WA 98027
www.rowleyproperties.com



To view this space or discuss details, please contact Kelly Richardson at 425.395.9577

Location

- 1275 12th Avenue NW, Suite 2
- Approximately 765 sf
- Located 1 block South of Gilman Blvd.
- Adjacent to Issaquah Transit Center

Features

- Individual offices
- First Floor
- Open space
- Natural light
- Private entry
- Efficient floor plan

Neighborhood Amenities

- 20 minutes to Seattle, 15 minutes to Bellevue, 5 minutes to Trails
- Located at the Gateway to Issaquah at I-90 Exit 15
- Excellent access via SR 900, Gilman Blvd. and I-90 with 128,000 vehicles per day
- Walking distance to restaurants, banks, retail and fitness options

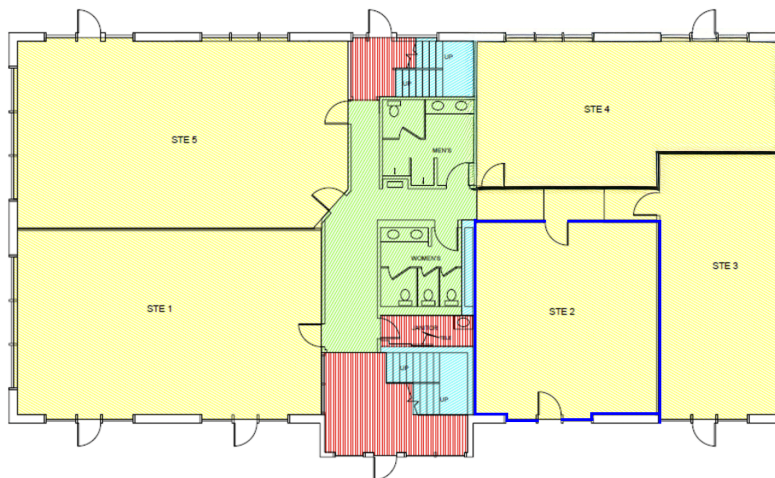
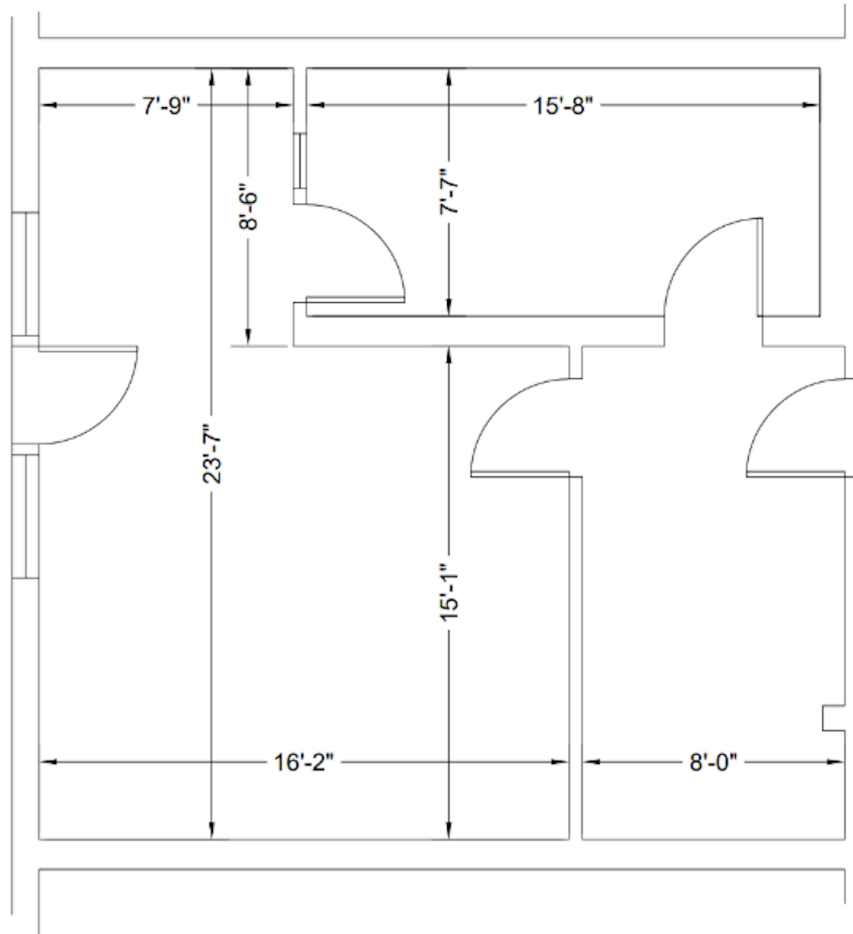


View [The Law of Real Estate Agency](#) for Washington State. The information contained in this document and any attachment may be confidential and/or legally privileged and has been sent for the sole use of the intended recipient. If you are not an intended recipient, you are not authorized to review, use, disclose or copy any of its contents.

1595 NW Gilman Blvd., Suite 1
Issaquah, WA 98027
www.rowleyproperties.com



To view this space or discuss
details, please contact
Kelly Richardson at 425.395.9577



View [The Law of Real Estate Agency](#) for Washington State. The information contained in this document and any attachment may be confidential and/or legally privileged and has been sent for the sole use of the intended recipient. If you are not an intended recipient, you are not authorized to review, use, disclose or copy any of its contents.